



Glasson Electronics Ltd.  
 Brock House,  
 Nateby Technology Park,  
 Nateby,  
 Garstang.  
 PR3 0LU  
 UK  
 Tel 01524 752208  
 info@glassonelectronics.co.uk

## LUCIAS FOCUSED LED SYSTEM DESCRIPTION.

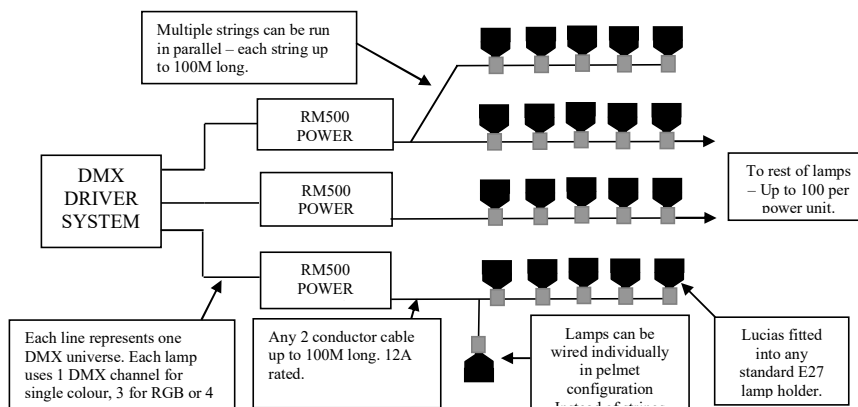


Lucias is a high intensity focused light source with a standard E27 or GU10 lamp base. This combination realises a versatile light source which takes advantage of the extensive range of E27 / GU10 light fittings. The system uses our combined power and data technology which allows full independent control of up to 100 LED units all on the same electrical circuit.

Lucias LED units incorporate special microprocessor controlled circuitry to decode our advanced combined power and data system and control a high intensity focused single colour white, adjustable colour temperature white, RGB or RGBW LEDs. Up to 100 Lucias LEDs can be connected on a single two conductor cable. Each LED unit is independently controllable despite being on the same cable. LED units connect to the RM500 power unit which accepts DMX data. The RM500 can also record /playback DMX shows.

The LEDs are driven with true linear variable current, not PWM, making the system ideal for use in studios and situations where cameras are present.

### TYPICAL INSTALLATION EXAMPLE



## **TECHNICAL OVERVIEW**

The system comprises the following components-

### **RM500 POWER SUPPLY**



### **FEATURES**

- Control of up to 100 Lucias LED units.
- Protected from lamp wiring faults.
- DMX data input.
- Optional DMX control byte to place power unit into low power standby.
- DMX Record / Playback system with 30 minute play time.
- 110 / 230VAC input.
- Power consumption 600W max.
- Comprehensive self diagnostic system.
- Output voltage 48V.
- 100M max festoon cable length.
- Dimensions 285 x 230 x 78mm.
- Weight 3.0Kg
- Max operating Temperature 40C (Fan cooled).

### **LUCIAS LED UNIT**

Interprets combined power and data signal and controls internal high intensity LED fitted with a choice of special colour mixing lenses to give beam widths of 9, 25 or 35 degrees.

The system uses true constant LED control (not PWM). Linear electronic LED current control gives superb fade from zero intensity ramp up.

### **LUCIAS LED UNIT FEATURES**

- Polarity insensitive – connects to the cable either way around.
- RGB or RGBW LED for superior colour mixing.
- Single colour white version available with colour temperatures 2700-10,000K or dual colour temperature 2 channel version.
- Linear current control (not PWM) for excellent flicker free colours when viewed



with a video camera.

- Each lamp has a unique address which is user programmed using the hand programmer described below. This can be reprogrammed thousands of times.
- Internal fuse resistor to prevent a single LED unit failure compromising the whole system.
- Standard ES E27 or GU10 lamp fitting.
- Dimensions – E27 Diameter 50mm, Length 70mm.
- Dimensions – GU10 Diameter 50mm, Length 56mm.
- Weight 55g.
- Drive voltage 40-48V.
- Current 100mA max.



### Optical Performance

This relates to the LED only and does not include the optics which will increase the light output inversely related to beam width.

#### RGBW

Red = 45Lm

Green = 87Lm

Blue = 14Lm

White = 80Lm

#### White only

5000K = 200Lm

3000K = 170Lm

### HAND PROGRAMMER

The hand programmer plugs into the Lucias unit through the normal lamp contacts. Once connected, the hand programmer can program or read the lamp address. The hand programmer can also initiate a full test of the lamp unit electronics including the LEDs. A lamps address can be reprogrammed thousands of times.

- Size 23 x 10 x 4.5cm.
- Weight 0.5Kg.



All the above is Copyright Glasson Electronics Ltd and must not be copied or distributed in any form without written permission from Glasson Electronics Ltd.